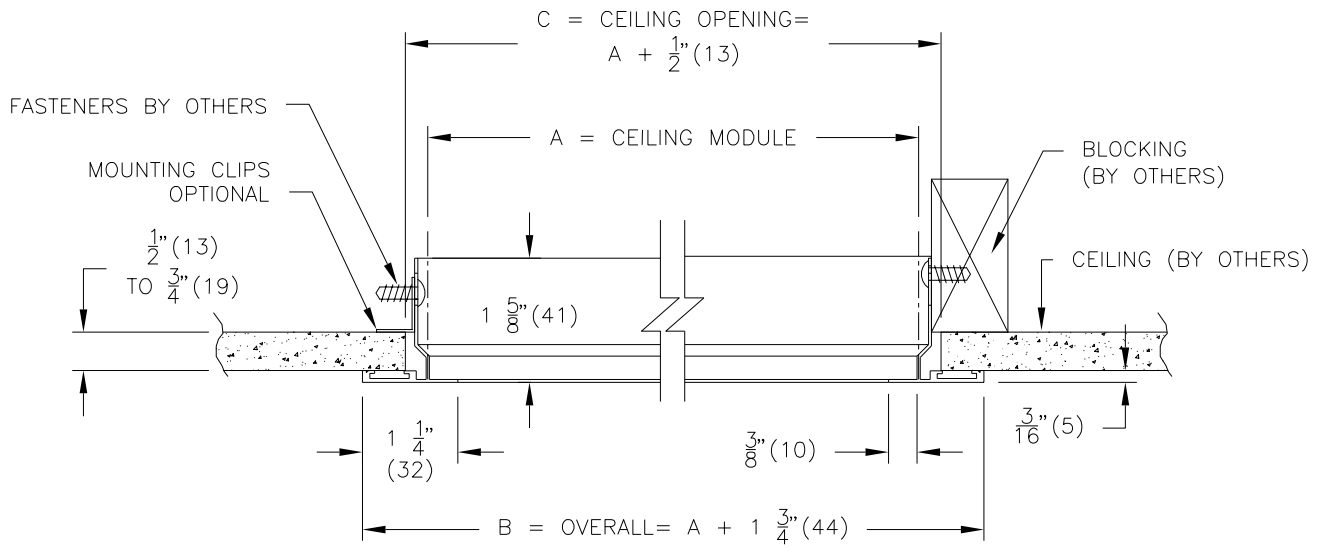


AMF - ALUMINUM MOUNTING FRAME



AMF - TYPICAL CEILING DIFFUSER APPLICATION

IMPERIAL SIZE		
NOM. CEILING DIFFUSER SIZE (A)	B	C
<input type="checkbox"/> 12" X 12"	13 3/4" X 13 3/4"	12 1/2" X 12 1/2"
<input type="checkbox"/> 14" X 14"	15 3/4" X 15 3/4"	14 1/2" X 14 1/2"
<input type="checkbox"/> 15" X 15"	16 3/4" X 16 3/4"	15 1/2" X 15 1/2"
<input type="checkbox"/> 16" X 16"	17 3/4" X 17 3/4"	16 1/2" X 16 1/2"
<input type="checkbox"/> 18" X 18"	19 3/4" X 19 3/4"	18 1/2" X 18 1/2"
<input type="checkbox"/> 20" X 20"	21 3/4" X 21 3/4"	20 1/2" X 20 1/2"
<input type="checkbox"/> 24" X 12"	25 3/4" X 13 3/4"	24 1/2" X 12 1/2"
<input type="checkbox"/> 24" X 24"	25 3/4" X 25 3/4"	24 1/2" X 24 1/2"

METRIC SIZE		
NOM. CEILING DIFFUSER SIZE (A)	B	C
<input type="checkbox"/> (300 X 300)	(344 X 344)	(313 X 313)
<input type="checkbox"/> (500 X 500)	(544 X 544)	(513 X 513)
<input type="checkbox"/> (600 X 600)	(644 X 644)	(613 X 613)

MATERIAL:

- EXTRUDED ALUMINUM FRAME

FINISH:

- B12 WHITE
(OPTIONAL FINISHES AVAILABLE)

NOTES:

- FACTORY TOLERANCE - ± 1/32 (1)

OPTIONS:

- MC-MOUNTING CLIPS
(GALVANIZED STEEL)

PROJECT:



ENGINEER:

mg

CUSTOMER:

228773

SUBMITTAL DATE:

SPEC. SYMBOL:

2015/04/02

AMF
ALUMINUM MOUNTING FRAME
FOR CEILING DIFFUSERS